

MINI POST

Fixture Description:

POST | Mini Sconce celebrates the poetic dialogue between light and form to create a fixture that leans into the timeless and iconic. Can be mounted up or down.

Materials:

brass

Finishes:

blackened brass, brushed brass, polished brass, aged brass, naval brass

Specifications:

Weight: 1 lbs

Length: 12.5"

Width: 5.5 "

Depth: 2.25"

LED illumination (only):

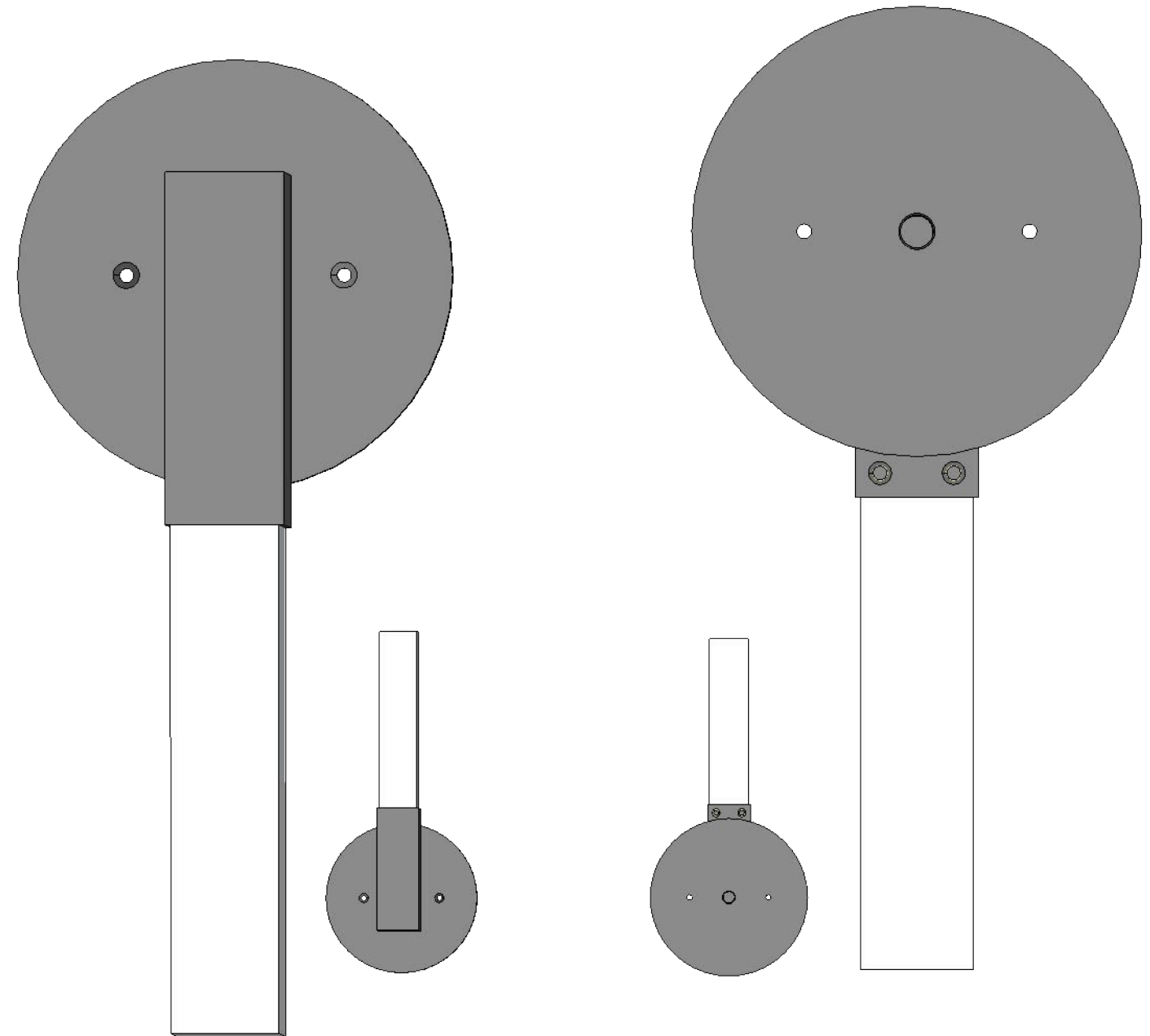
Socket: E26

Bulb: 185 mm

Wattage: 3W

FRONT

BACK

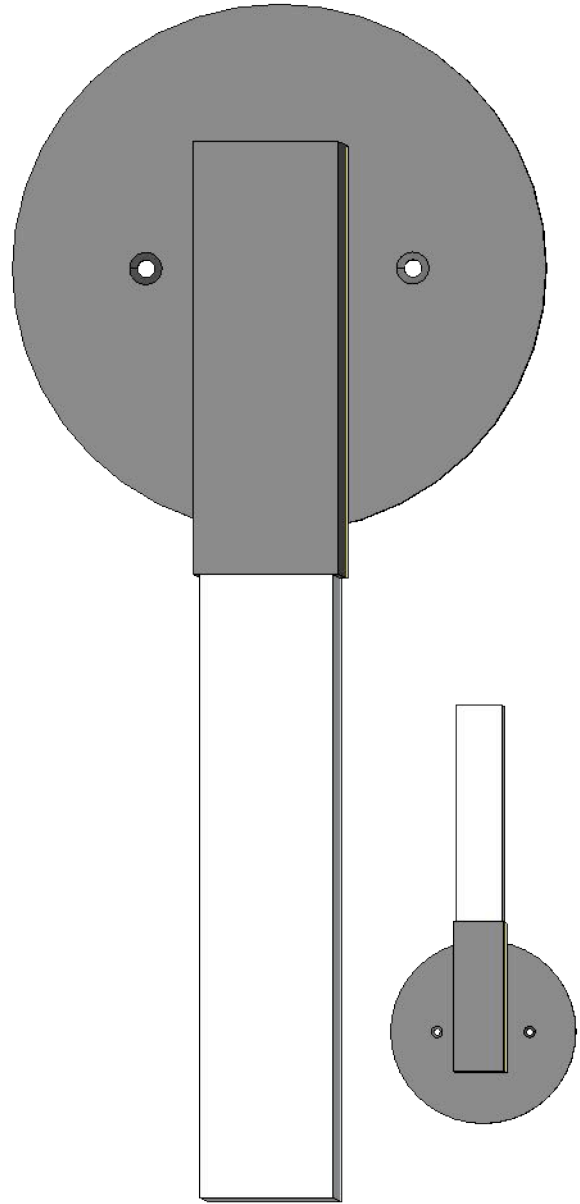


Daikon

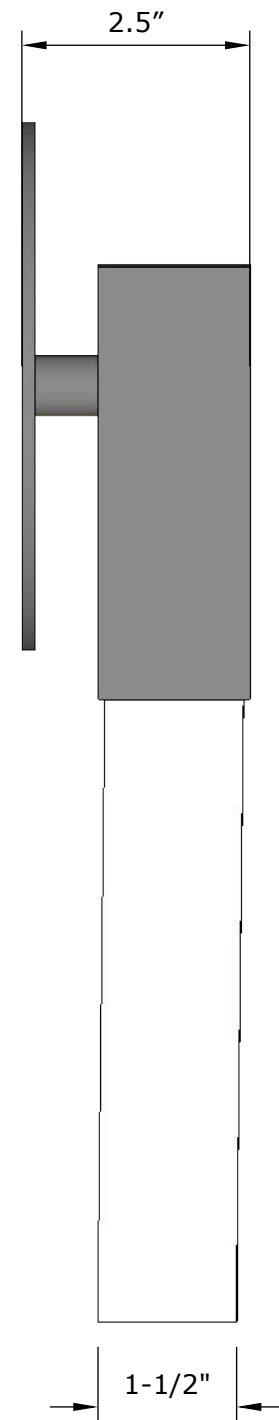
POST | MINI SCONCE

CUT SHEET | SCALE: 1:2

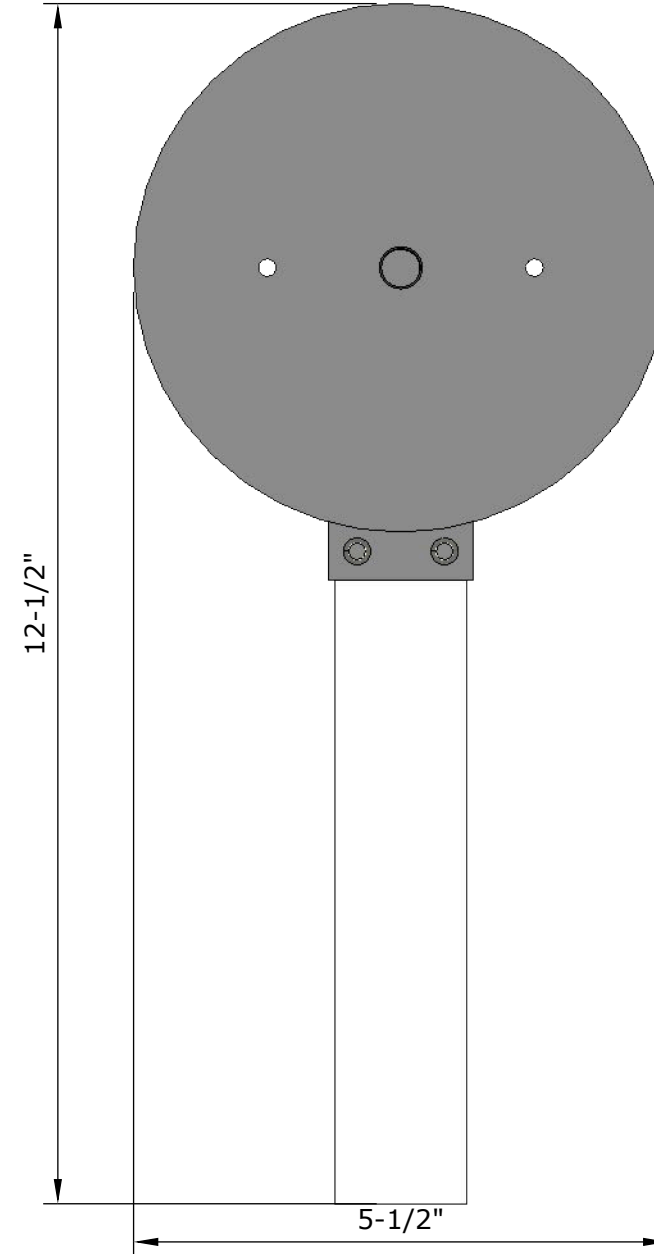
FRONT



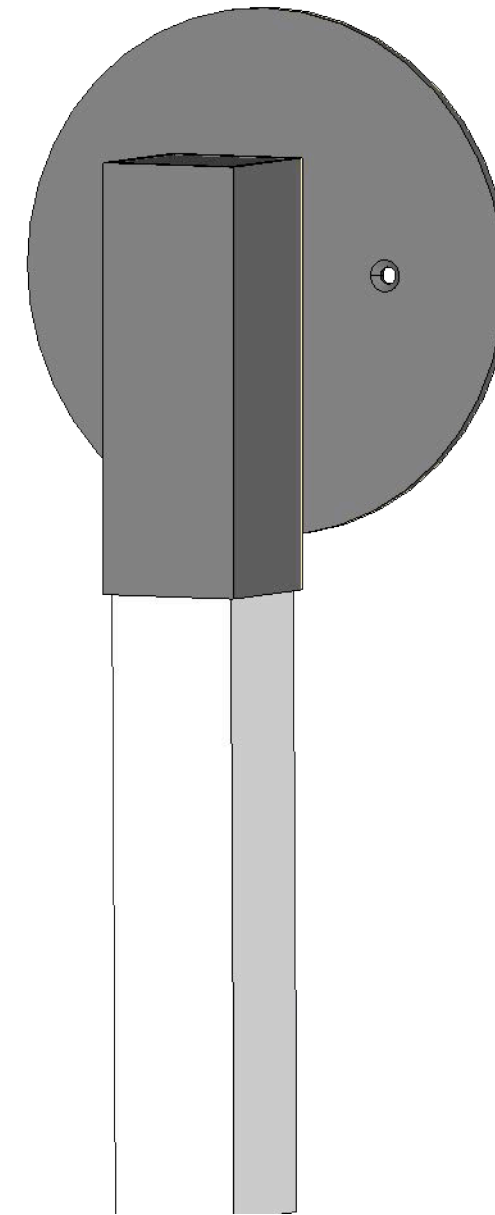
SIDE



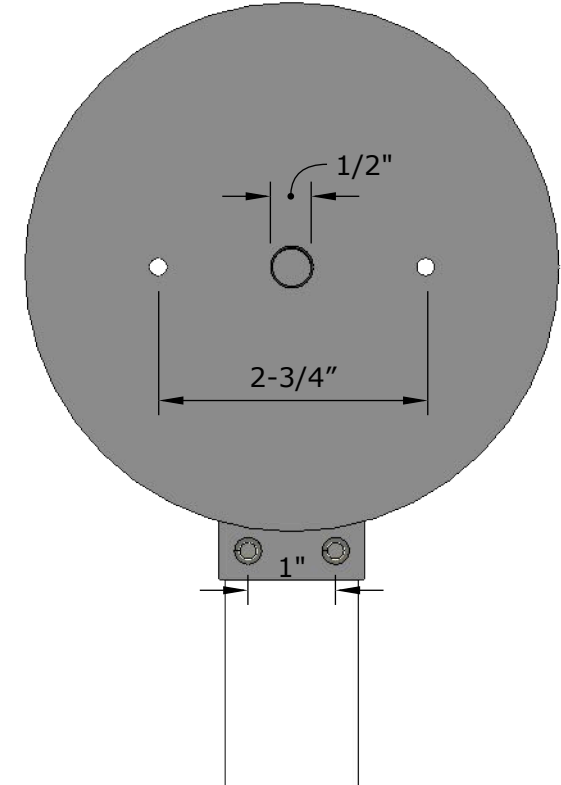
BACK



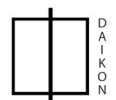
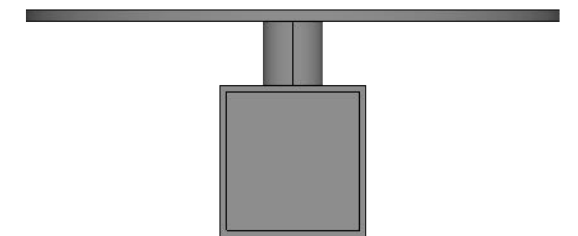
OBLIQUE



SCREW HOLE DETAIL



TOP



DAIKON POST | MINI SCONCE

CUT SHEET | SCALE: 1:2