

# Banded KOKO I SCONCE

## Fixture Description:

POST | The banded KoKo Sconce celebrates the poetic dialogue between light and form to create a fixture that leans into the timeless and iconic. This fixture can be mounted horizontally.

## Materials:

Brass, steel

## Finishes:

Black, industrial clear, brushed brass, polished brass, naval brass, aged brass

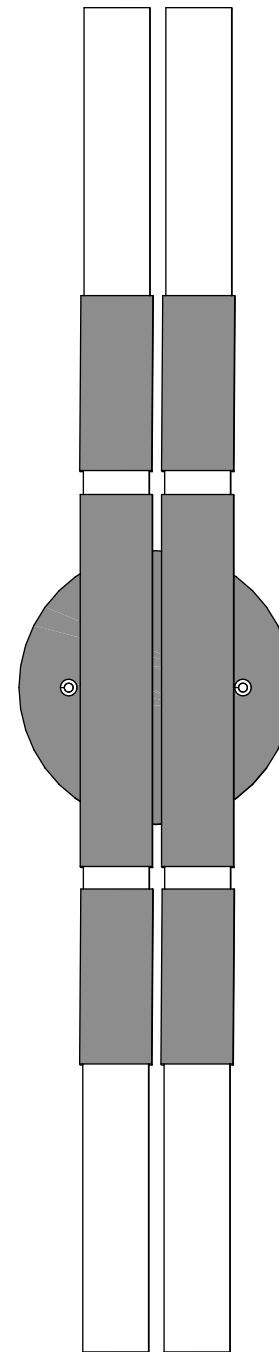
## Specifications:

Weight: 5 lbs  
Height: 28"  
Width: 5.5"  
Depth: 2.25"

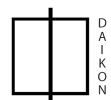
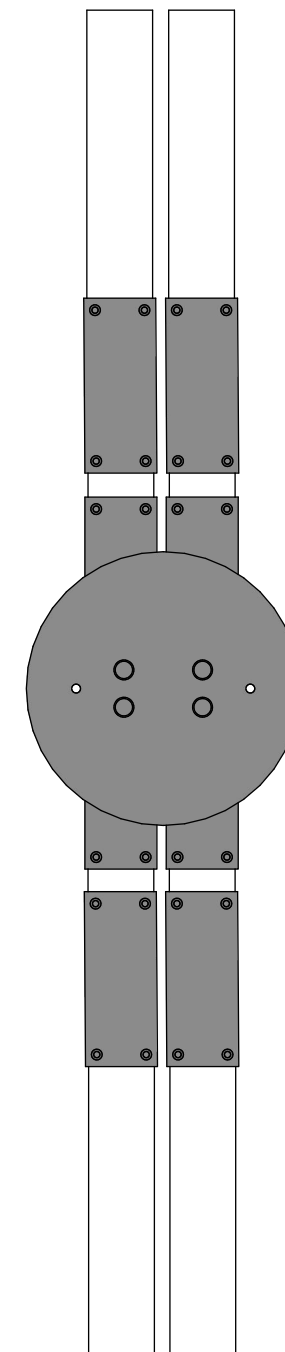
## LED illumination (ONLY):

Socket: E26  
Bulb: 300mm T30  
Wattage: 8 W max

FRONT



BACK

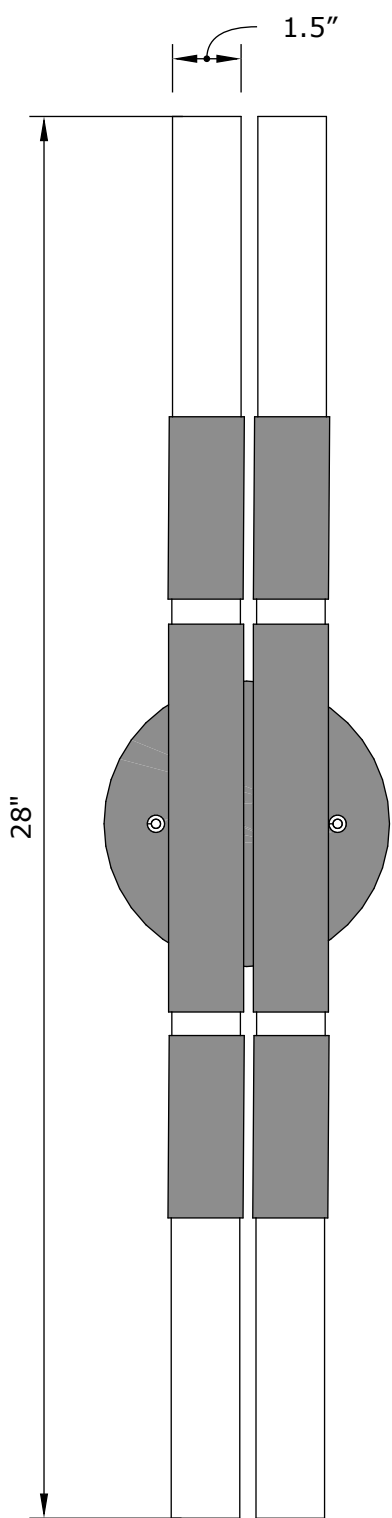


DAIKON

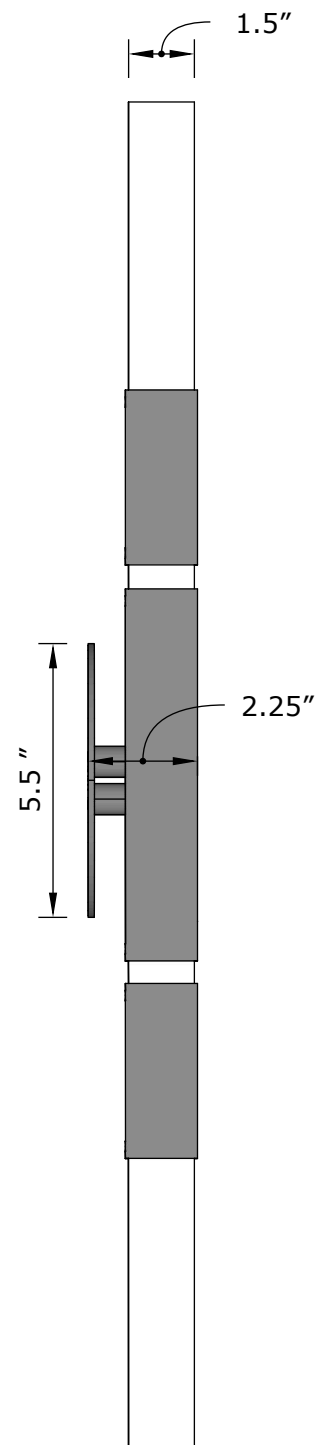
BANDED KOKO I SCONCE

CUT SHEET | SCALE: 1: 4

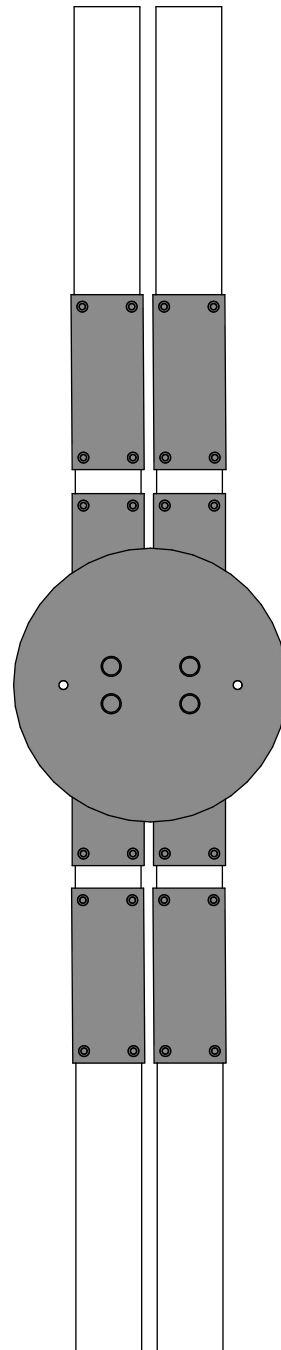
FRONT



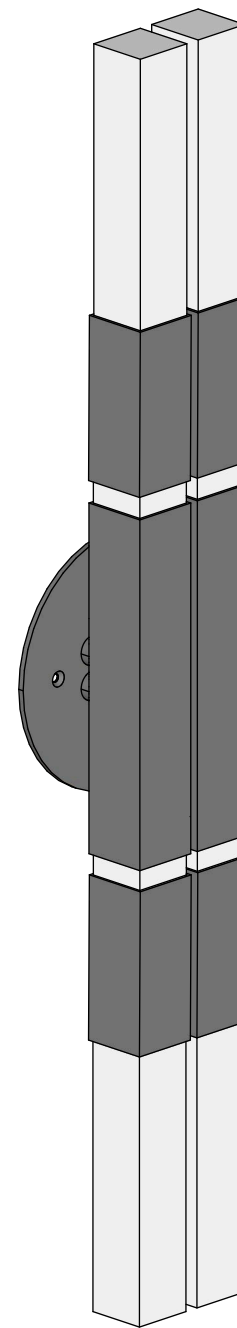
SIDE



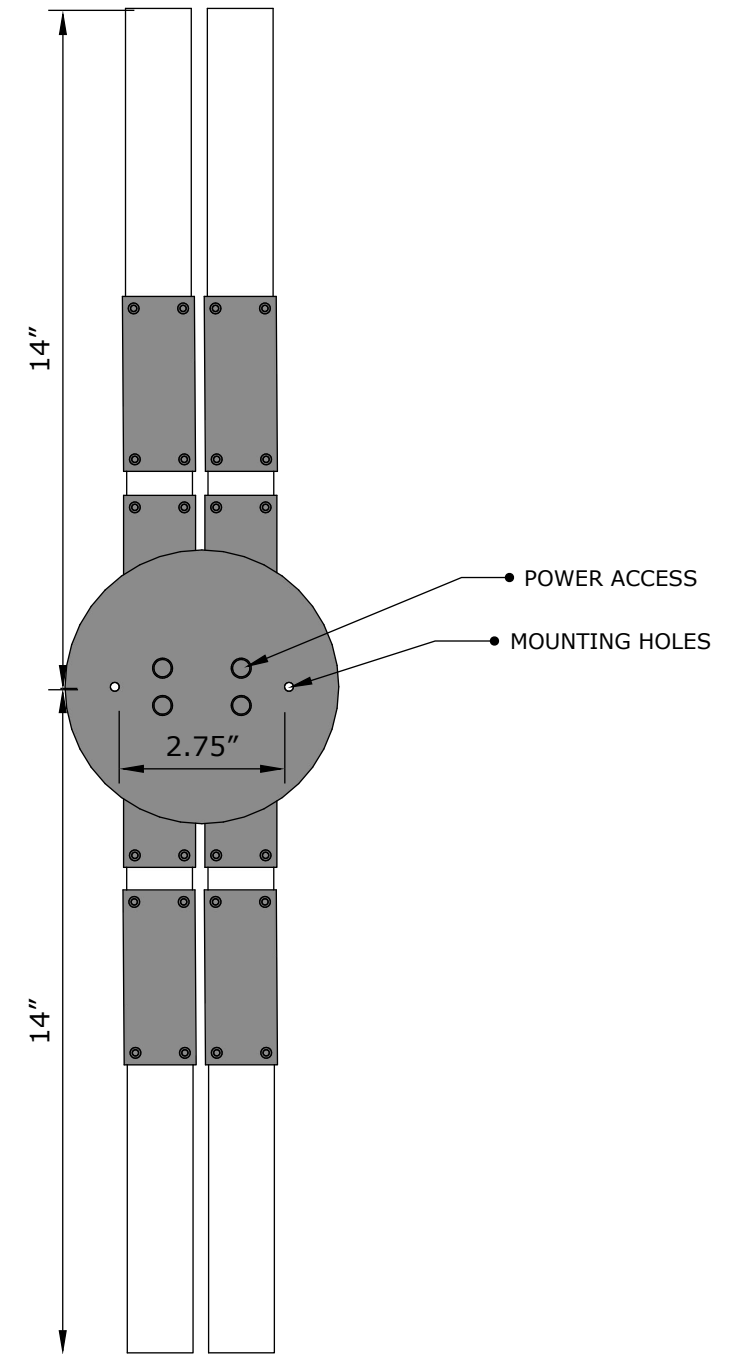
BACK



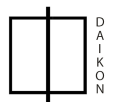
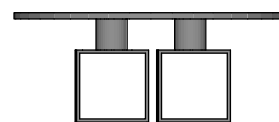
OBLIQUE



MOUNTING DETAIL



TOP



**DAIKON** BANDED KOKO | SCONCE

CUT SHEET | SCALE: 1: 4