



POST | Domus Sconce

Celebrating the poetic dialogue between light and form the Domus Sconce leans into the timeless and iconic.

Materials

brass, stainless steel

Finish

onyx black wax, satin black, satin white, brushed brass, aged brass, naval brass, burnished brass, brushed stainless, burnished stainless

Specifications

height: 30.5

width: 5.5

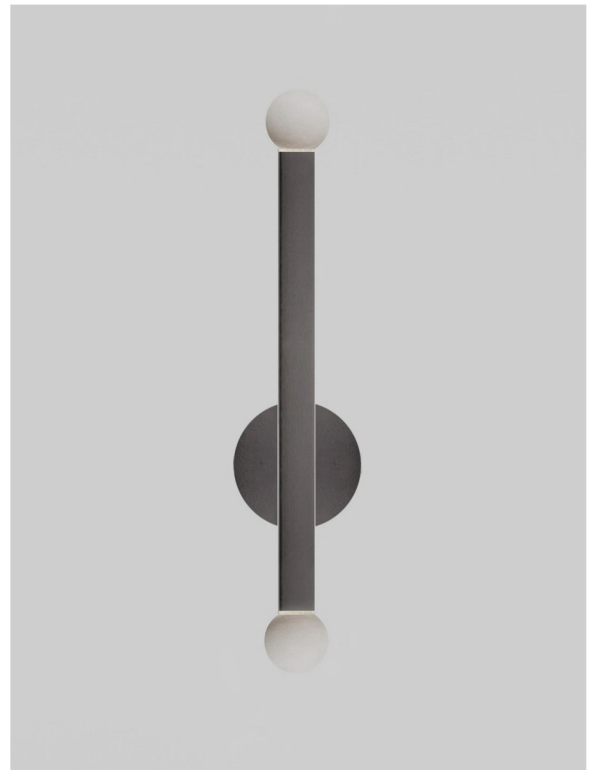
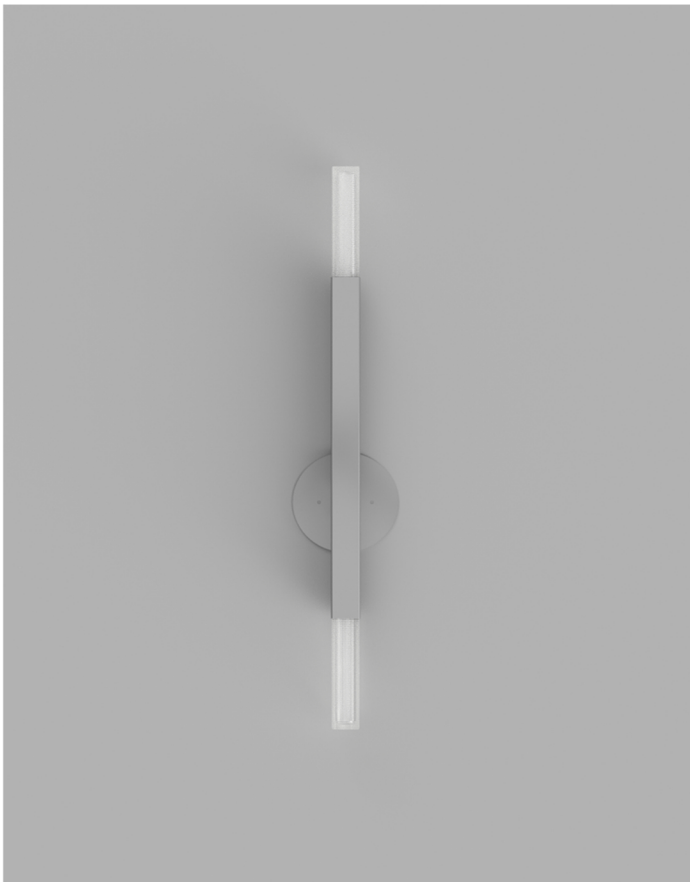
depth: 2.5

LED Illumination (only)

socket: E26

bulb: tubular led

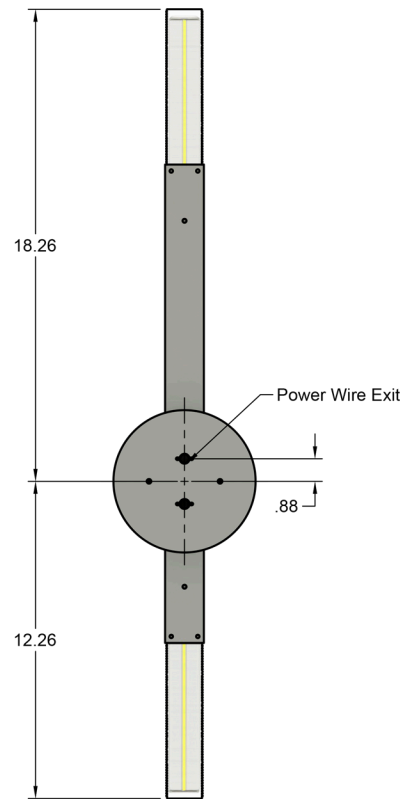
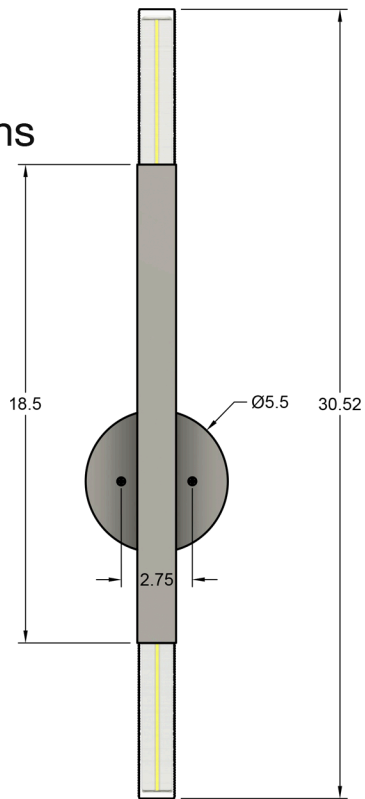
wattage (2) 3W





DAIKON STUDIO | DOMUS SCONCE

Daikon Lens



Daikon Sphere

