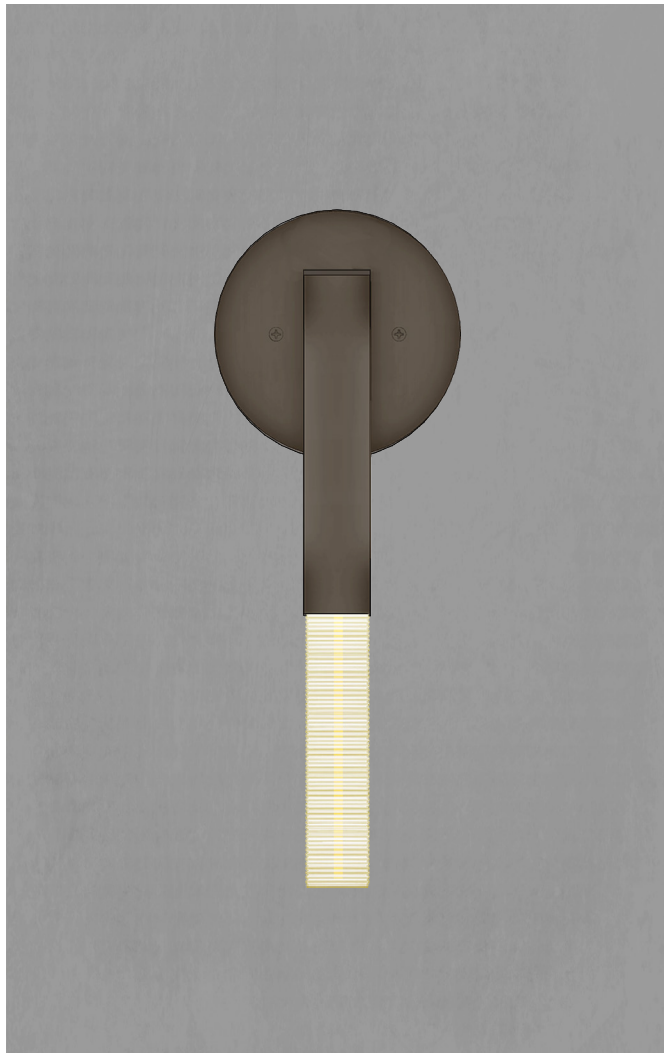


visually sensitive lighting solutions

**FIXTURE**

MATERIALS

DIMENSIONS

LAMPING

VOLTAGE

UL LISTED

FINISH

STAINLESS

BRASS

POST FULL SCONCE

STAINLESS STEEL, BRASS

15 H x 5.5 W x 2.25 D

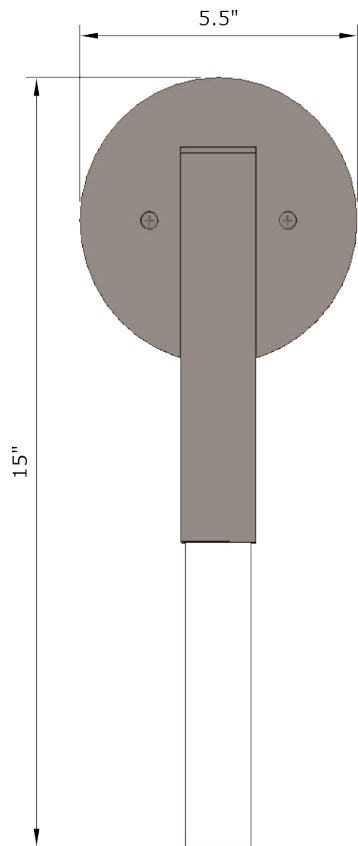
E26 dimmable LED
2200/2700/3000K

110-240

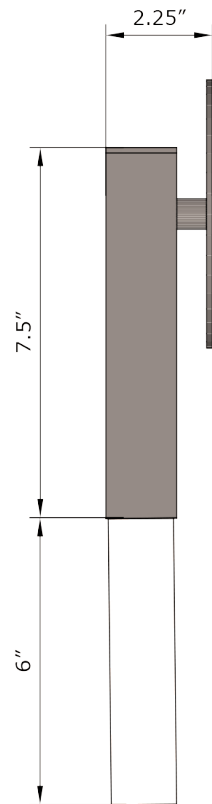
YES

SATIN WHITE, SATIN, GRAPHITE,
ONYX WAX, SATIN BLACKBURNISHED, TONED, NAVAL,
NATURAL, AGED, BRONZED

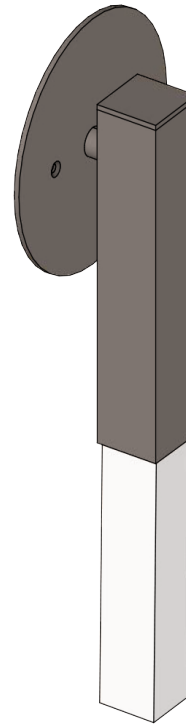
FRONT



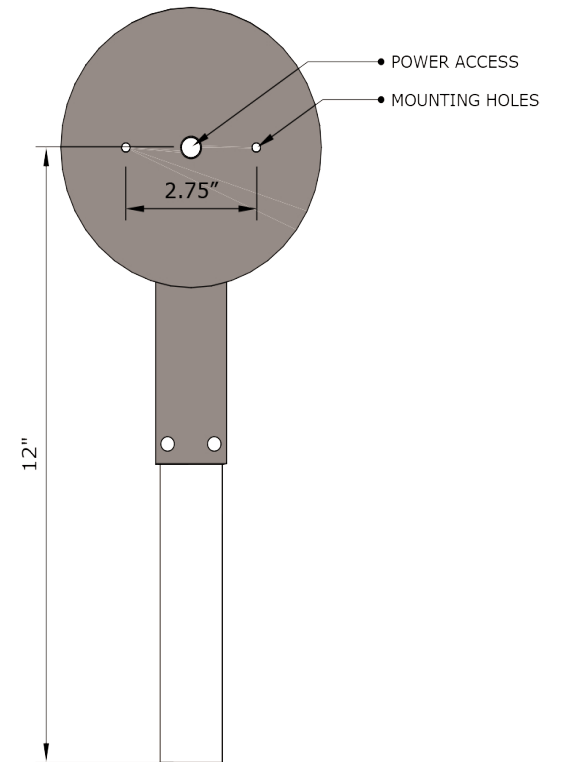
SIDE



OBLIQUE



MOUNTING DETAILS



visually sensitive lighting solutions



SATIN WHITE
WAXY NEUTRAL
OPAQUE



SATIN
NO PATINA, BURNISHED



GRAPHITE
SILVER TO GRAY, BRUSHED
TRANSLUCENT



ONYX WAX
WAXY GRAY-BLACK, BURNISHED
SEMI-TRANSLUCENT



SATIN BLACK
WAXY DEEP BLACK
OPAQUE



BURNISHED BRASS
BLENDED PATINA, LIGHT VALUE - YELLOW-GOLD, RAW UMBER



TONED BRASS
BLENDED PATINA, LIGHT VALUE - GOLD, CRIMSON BLUSH,
RAW UMBER



NAVAL BRASS
BRUSHED PATINA, MIDDLE VALUE -YELLOW-GOLD, RAW UMBER



NATURAL BRASS
BLENDED PATINA, MIDDLE VALUE -GREEN-GOLD, RAW UMBER



AGED BRASS
MOTTLED PATINA, HIGH CONTRAST - GOLD, COPPER,
CRIMSON BLUSH, DARK UMBER



BRONZED BRASS
SOLID PATINA, DARK VALUE - BLACK, UMBER, MUTED GOLD,
HINTS OF COPPER AND BLUE-VIOLET